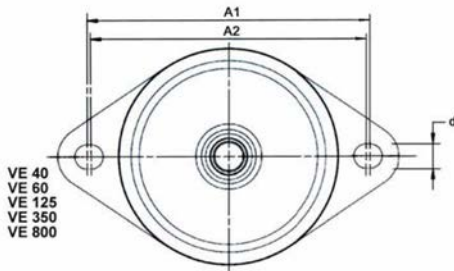
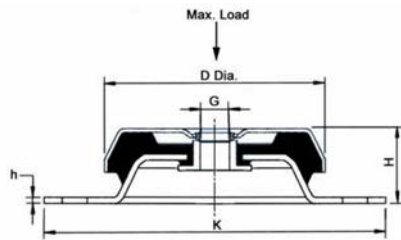
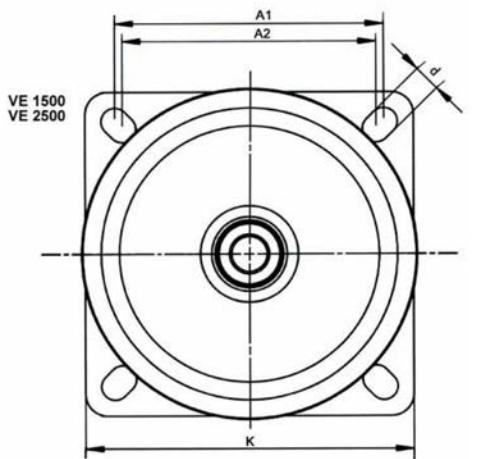


# Vibralastic Mount Type VE

## Vibration Isolator



For effective isolation of vibration and noise on machines with rotating elements.



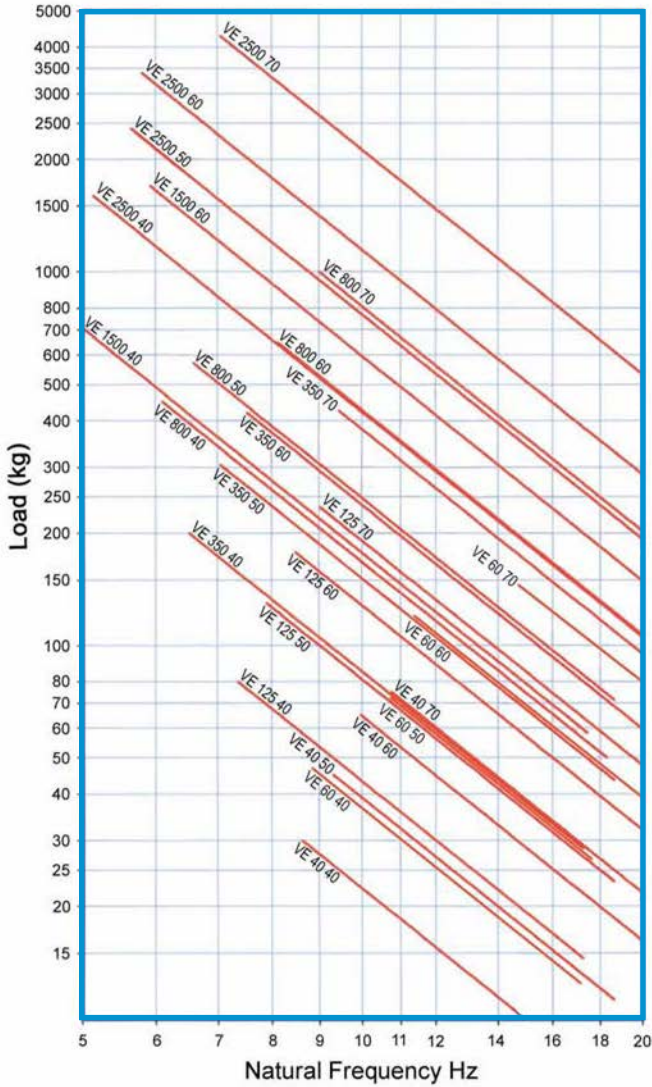
### USES

- Compressors
- AC Units
- Industrial Fans
- Generators
- Emergency Power Sets
- Large Milling Machinery
- Industrial and Marine Gen Sets
- Refiners
- Defibrators

Mount No.	A1	A2	D	G	H	K	d	h	Wgt	Max Load
VE 40 40 M10	91	73	64	M10	35	110	9	2.5	0.23	30
VE 40 60 M10	91	73	64	M10	35	110	9	2.5	0.23	65
VE 60 40 M12	100	100	65	M12	35	120	11	3	0.25	50
VE 60 60 M12	100	100	65	M12	35	120	11	3	0.25	120
VE 125 50 M10	116	104	83	M10	35	130	9	3	0.40	80
VE 125 40 M12	116	104	83	M12	35	130	9	3	0.40	80
VE 125 60 M10	116	104	83	M10	35	130	9	3	0.40	175
VE 125 60 M12	116	104	83	M12	35	130	9	3	0.40	175
VE 350 40 M12	146	133	106	M12	41	170	12.5	3.5	0.86	200
VE 350 40 M16	146	133	106	M16	41	170	12.5	3.0	0.86	200
VE 350 60 M12	146	133	106	M12	41	170	12.5	3.5	0.86	420
VE 350 60 M16	146	133	106	M16	41	170	12.5	3.0	0.86	420
VE 800 40 M16	188	176	150	M16	53.5	218	14.5	4	1.84	450
VE 800 60 M16	188	176	150	M16	53.5	218	14.5	4	1.84	800
VE 1500 40 M20	146	146	183	M20	86	180	14.5	5	3.10	875
VE 1500 60 M20	146	146	183	M20	86	180	14.5	5	3.10	1700
VE 2500 40 M24	180	180	220	M24	105	220	17.5	6	6.72	1600
VE 2500 60 M24	180	180	220	M24	105	220	17.5	6	6.72	3400

Dimensions are in millimeters. Weights and loads are in kilograms. Other durometers are available by request.

### NATURAL FREQUENCY Hz



### LOAD DEFLECTION (mm)

