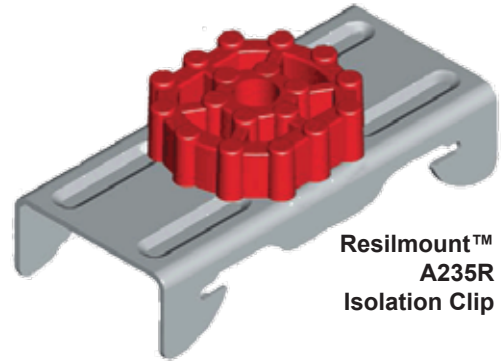




is a registered Trademark of Studco Corp.



**Resilmount™
A235R
Isolation Clip**

Installation

A237R SPECIFICATIONS

Width	1.375 inch.
Height	3.25 inch.
Depth	1.125 inch.
Weight.....	0.25 Lbs.
Max. Spacing between Mounts.....	48 inch. O.C.
Max. Load.....	36 Lbs.

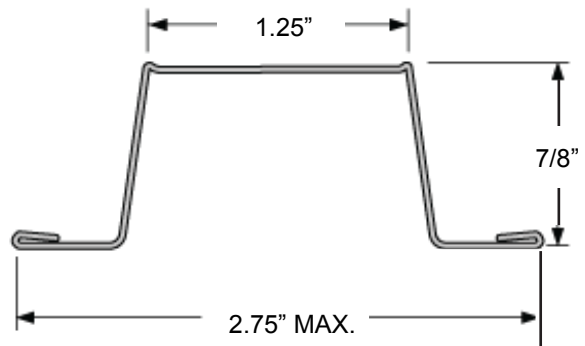
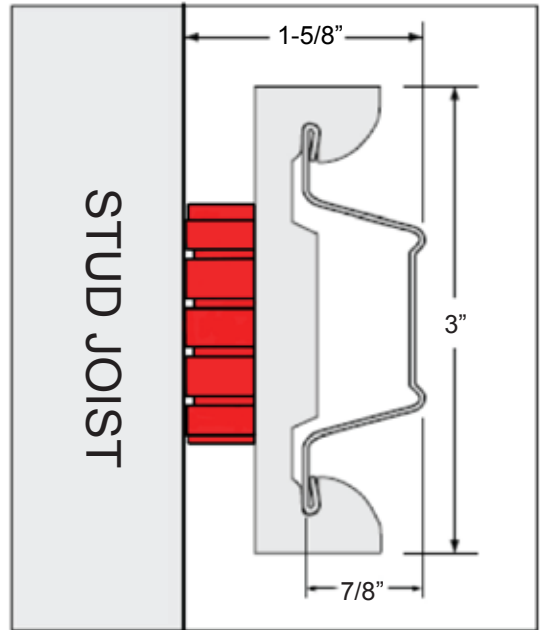
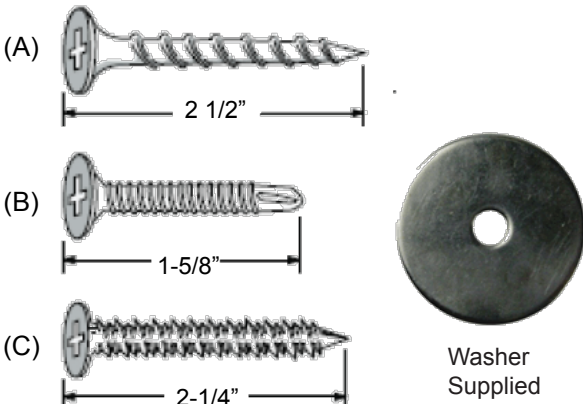
FURRING CHANNEL SPECIFICATIONS

Minimum	25 Gauge with hemmed edge
Depth	7/8 inch or 1.5 inch.
Width at Top	1.25 inch.
Width at Bottom	2.75 inch.

APPROVED FASTENERS (for all applications).

- (A) Wood: # 8 x 2-1/2" Coarse Threads
- (B) Steel: # 8, # 10 or # 12 x 1-5/8" Self Tapping Type S
- (C) Concrete: 3/16 inch. x 2-1/4" Anchor Screws

DO NOT fasten Resilmount™ clips to framing members with nails. Use only approved screws.



When splicing hat channels, overlap 6 inches in between two Resilmount™ Clips. Secure the channel with two 7/16" framing screws or 18 Gauge wire can be used.

Load Specification

- Resilmount™ A237R Clips are designed to carry furring channel with one or more layers of gypsum wallboard attached. The load capacity of the clips depends on the gauge of the hat channel used.
- 25 Gauge channel is most commonly used and performs better acoustically than a heavier gauge channel. The maximum design load capacity for the Resilmount™ Clips in shear (Wall Application) or in tension (Ceiling Applications) as follows. Design load calculations are based on testing loading to failure where the furring channel deforms.

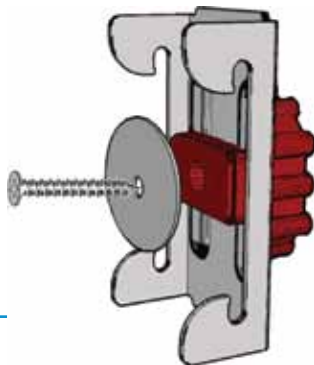
Maximum Load Wall & Ceiling	2:1 Safety factor	2.5:1 Safety factor
Resilmount™ Clips w/ 25 gauge hat channel	45 Lbs.	36 Lbs.
Resilmount™ Clips w/ 22 gauge hat channel	60 Lbs.	48 Lbs.

Suggested safety factor of 2.5:1 for more critical life safety applications.

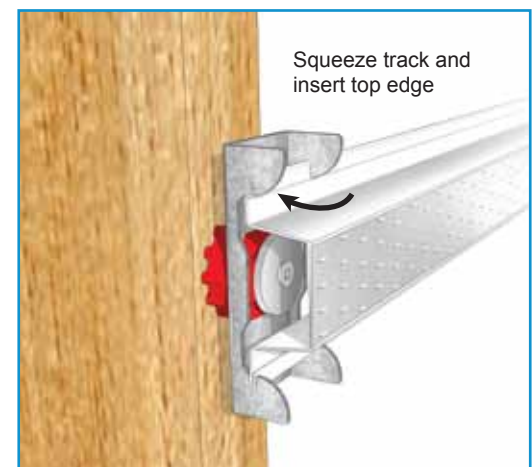
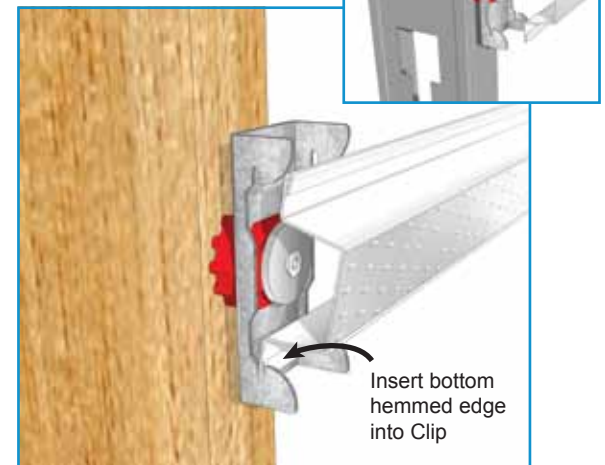
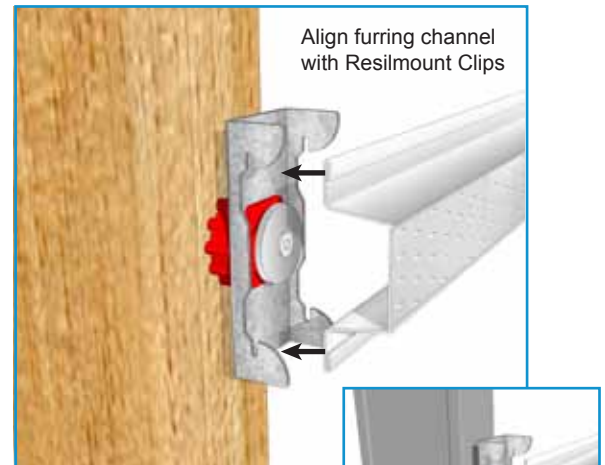
Note: 5/8" thick gypsum drywall weighs 2.3 Lbs. / sq.ft.
1/2" thick gypsum drywall weighs 1.85 Lbs. / sq.ft.

Fire Rated Applications

- Read Resilmount™ Installation instructions carefully before installing the clips.
- Resilmount™ A237R clips are supplied with a 1/4" x 1" steel washer. **VERY IMPORTANT:** On Fire Rated Applications the Resilmount™ washer must be used as shown. If this washer is not installed the clip has NO Fire Rating.



- Use approved fasteners for wood, steel and concrete.
- Do not fasten Resilmount™ clips with nails.
- On steel truss and C-stud applications, the screws are replaced with a 1/4" x 1-1/2" bolt with nylox nut.



Wall Installation Guide

INSTALLATION NOTES

- Resilmount™ A237R shall not exceed 48" on center.
- Spacing between hat channels shall not exceed 24".
- Fasten the Resilmount™ A237R to the substrate with a fastener approved for a minimum pull-out and shear of 120 Lbs.
- Hat Channels are installed perpendicular to the studs.
- Locate the bottom row of Resilmount™ clips within 4" of the floor and the top row within 4' of the ceiling. Use sample calc. formula on Pg. 5 to determine the on center spacing between all of the tracks.
- A laser pointer or snap chalk line can be used to ensure that the Resilmount™ Clips and furring channels are installed horizontal and level.
- Install the drywall vertically from the bottom up leaving a 1/8" to 1/4" thick gap around perimeter of wall to be filled with acoustical caulk. Caulk around the entire perimeter of the gypsum board.

Step 1

Review layout guidelines and check measurements before starting the installation. It is recommended that the ceiling is installed after the walls are in place.

Step 2

Space Resilmount™ A237R so not to exceed 48" O.C. along line of furring channel.

Secure clips with a single fastener through the washer and the middle screw hole in the clip.

Step 3

Snap hat channels onto the Resilmount™ clips.

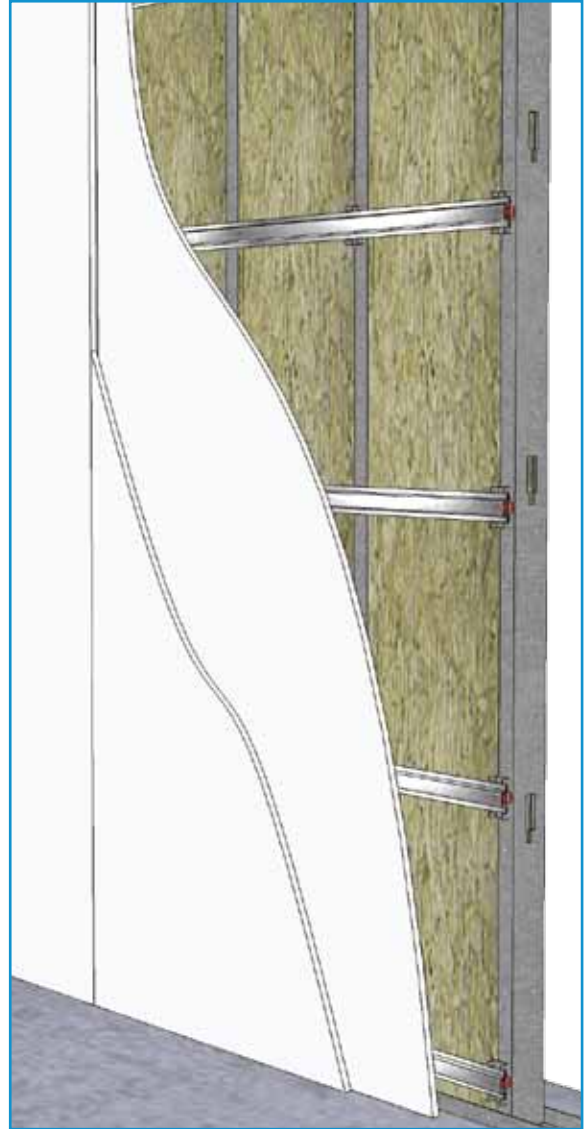
Step 4

Place 1/4" shims on the floor in front of the sole plate. The shims are critical to ensure that the drywall does not touch the floor once attached to the tracks on the Resilmount™ clips. Use approved screws to attach the drywall to the channels following local building codes.

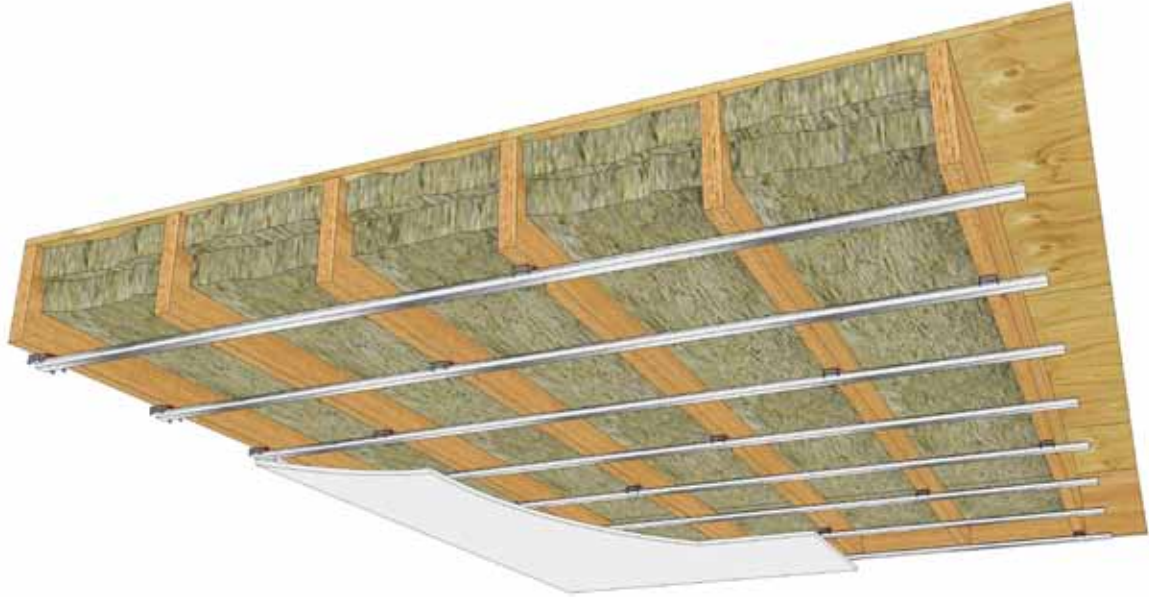
Note: Only remove the shims after all the gypsum board is completely installed.

Step 5

Use acoustical caulk around the entire perimeter of each wall.



Ceiling Installation Guide



INSTALLATION NOTES

- Resilmount™ A237R shall not exceed 48" on center .
- Spacing between hat channels shall not exceed 16".
- Fasten the Resilmount™ A237R to the substrate with a fastener approved for a minimum pull-out and shear of 120 Lbs.
- Hat Channels are installed perpendicular to the joists.
- Locate the first row of Resilmount™ clips within 4 inches a wall and within 4 inches of the opposite wall use sample calc. formular on Pg. 5 to determine the on center spacing between all of the tracks.
- Use a laser pointer or snap chalk line to ensure the channels are accurately spaced.
- Install the gypsum board leaving 1/8 " to 1/4" wide gap around perimeter to be filled with acoustical caulk. Caulk around the entire perimeter of the gypsum board.

Step 1

Review layout guidelines and check measurements before starting the installation of walls or ceilings. It is recommended that the walls are in place before the ceiling is installed.

Step 2

Space Resilmount™ A237R so not to exceed 48" OC. along the line of the furring channel. Secure clips with a single fastener through the washer and middle screw hole in the clip.

Step 3

Snap hat channel onto the Resilmount™ clips.

Step 4

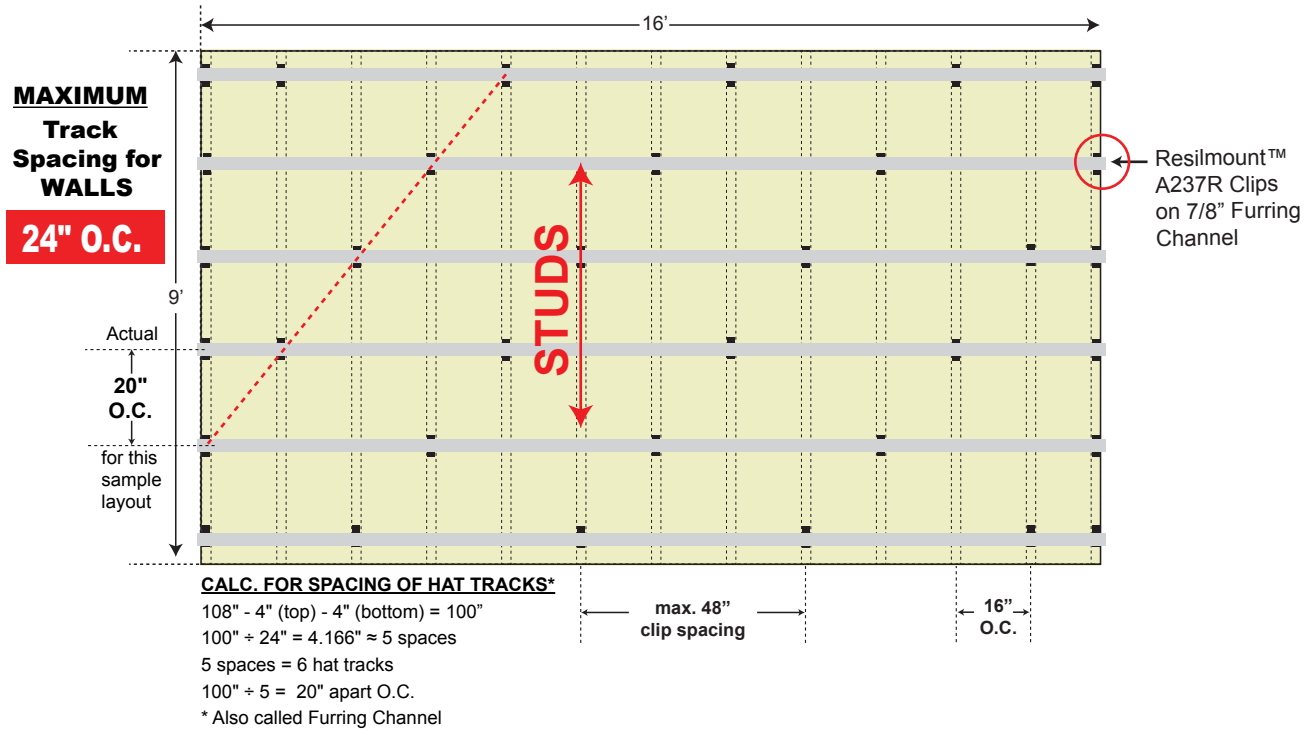
Use approved screws to attach the drywall to the channels following local building codes.

Step 5

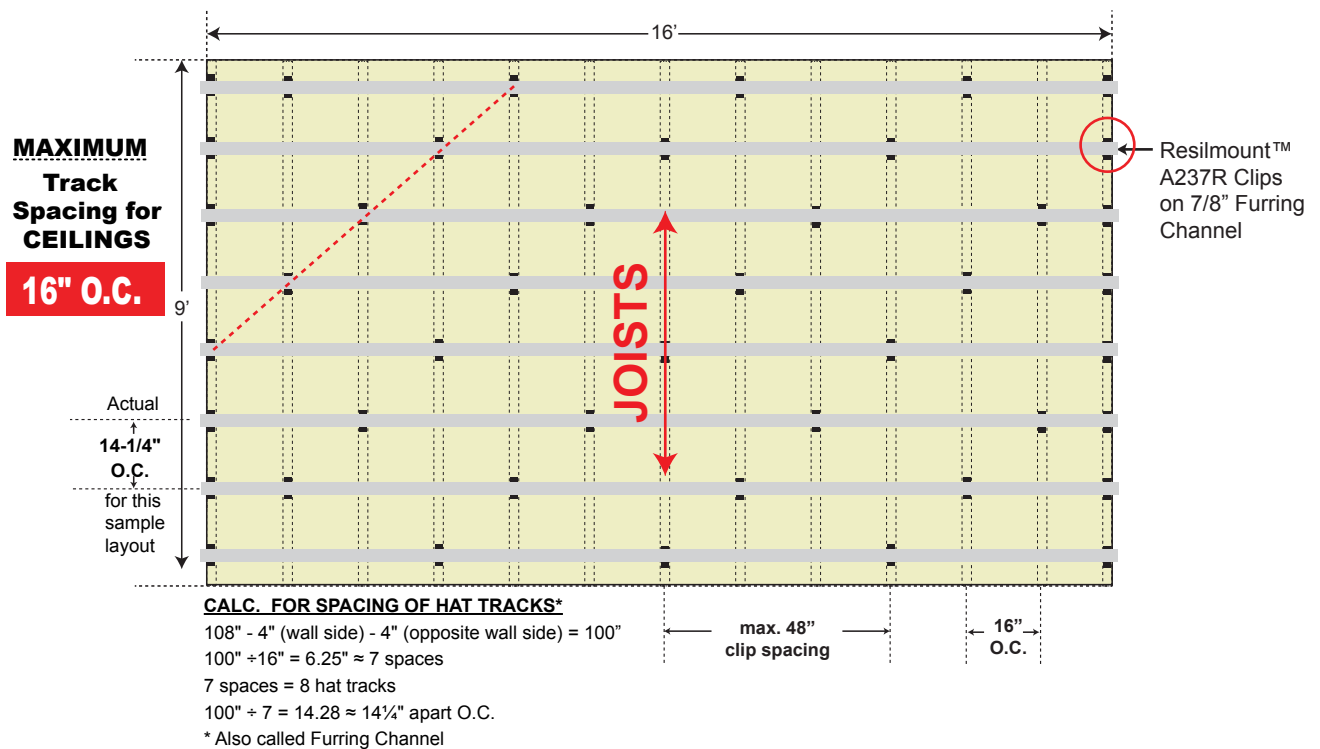
Use acoustical caulk around the entire perimeter of each wall.

Installation Guide

WALL STUD – 9' x 16' Wall Sample Layout



CEILING JOIST – 9' x 16' Ceiling Sample Layout



Clip Usage Guide For WALLS

Resilmount™ A237R Usage Chart Metal Furring Channel at 24" O.C. with Resilmount™ at 48" O.C.

Field Conditions May Effect Quantity Required

LENGTH

	1 - 4'	5 - 8'	9 - 12'	13 - 16'	17 - 20'	21 - 24'	25 - 28'	29 - 32'	33 - 36'	37 - 40'	41 - 44'	45 - 48'	49 - 52'	53 - 56'	57 - 60'	61 - 64'
1 - 3'	4	6	8	10	12	14	16	18	20	22	24	26	28	30	32	34
3 - 5'	6	9	12	15	18	21	24	27	30	33	36	39	42	45	48	51
5 - 7'	8	12	16	20	24	28	32	36	40	44	48	52	56	60	64	68
7 - 9'	10	15	20	25	30	35	40	45	50	55	60	65	70	75	80	85
9 - 11'	12	18	24	30	36	42	48	54	60	66	72	78	84	90	96	102
11 - 13'	14	21	28	35	42	49	56	63	70	77	84	91	98	105	112	119
13 - 15'	16	24	32	40	48	56	64	72	80	88	96	104	112	120	128	136
15 - 17'	18	27	36	45	54	63	72	81	90	99	108	117	126	135	144	153
17 - 19'	20	30	40	50	60	70	80	90	100	110	120	130	140	150	160	170
19 - 21'	22	33	44	55	66	77	88	99	110	121	132	143	154	165	176	187
21 - 23'	24	36	48	60	72	84	96	108	120	132	144	156	168	180	192	204
23 - 25'	26	39	52	65	78	91	104	117	130	143	156	169	182	195	208	221
25 - 27'	28	42	56	70	84	98	112	126	140	154	168	182	196	210	224	238
27 - 29'	30	45	60	75	90	105	120	135	150	165	180	195	210	225	240	255
29 - 31'	32	48	64	80	96	112	128	144	160	176	192	208	224	240	256	272
31 - 33'	34	51	68	85	102	119	136	153	170	187	204	221	238	255	272	289
33 - 35'	36	54	72	90	108	126	144	162	180	198	216	234	252	270	288	306
35 - 37'	38	57	76	95	114	133	152	171	190	209	228	247	266	285	304	323
37 - 39'	40	60	80	100	120	140	160	180	200	220	240	260	280	300	320	340
39 - 41'	42	63	84	105	126	147	168	189	210	231	252	273	294	315	336	357
41 - 43'	44	66	88	110	132	154	176	198	220	242	264	286	308	330	352	374
43 - 45'	46	69	92	115	138	161	184	207	230	253	276	299	322	345	368	391
45 - 47'	48	72	96	120	144	168	192	216	240	264	288	312	336	360	384	408
47 - 49'	50	75	100	125	150	175	200	225	250	275	300	325	350	375	400	425
49 - 51'	52	78	104	130	156	182	208	234	260	286	312	338	364	390	416	442
51 - 53'	54	81	108	135	162	189	216	243	270	297	324	351	378	405	432	459
53 - 55'	56	84	112	140	168	196	224	252	280	308	336	364	392	420	448	476
55 - 57'	58	87	116	145	174	203	232	261	290	319	348	377	406	435	464	493
57 - 59'	60	90	120	150	180	210	240	270	300	330	360	390	420	450	480	510
59 - 61'	62	93	124	155	186	217	248	279	310	341	372	403	434	465	496	527
61 - 63'	64	96	128	160	192	224	256	288	320	352	384	416	448	480	512	544
63 - 65'	66	99	132	165	198	231	264	297	330	363	396	429	462	495	528	561
65 - 67'	68	102	136	170	204	238	272	306	340	374	408	442	476	510	544	578
67 - 69'	70	105	140	175	210	245	280	315	350	385	420	455	490	525	560	595
69 - 71'	72	108	144	180	216	252	288	324	360	396	432	468	504	540	576	612
71 - 73'	74	111	148	185	222	259	296	333	370	407	444	481	518	555	592	629
73 - 75'	76	114	152	190	228	266	304	342	380	418	456	494	532	570	608	646
75 - 77'	78	117	156	195	234	273	312	351	390	429	468	507	546	585	624	663
77 - 79'	80	120	160	200	240	280	320	360	400	440	480	520	560	600	640	680
79 - 81'	82	123	164	205	246	287	328	369	410	451	492	533	574	615	656	697

Note: Add 4 Resilmount™ Clips at each drywall butt joint condition for optimum acoustical UL Fire resistive assembly compliance. See UL Fire Resistive Design Specifications.

Clip Usage Guide For CEILING

Resilmount™ A237R Usage Chart

Metal Furring Channel at max. 16" O.C. with Resilmount™ at 48" O.C.

Field Conditions May Effect Quantity Required

LENGTH

	1 - 4'	5 - 8'	9 - 12'	13 - 16'	17 - 20'	21 - 24'	25 - 28'	29 - 32'	33 - 36'	37 - 40'	41 - 44'	45 - 48'	49 - 52'	53 - 56'	57 - 60'	61 - 64'
1 - 1.3'	4	6	8	10	12	14	16	18	20	22	24	26	28	30	32	34
1.3 - 2.6'	6	9	12	15	18	21	24	27	30	33	36	39	42	45	48	51
2.6 - 4'	8	12	16	20	24	28	32	36	40	44	48	52	56	60	64	68
4 - 5.3'	10	15	20	25	30	35	40	45	50	55	60	65	70	75	80	85
5.3 - 6.6'	12	18	24	30	36	42	48	54	60	66	72	78	84	90	96	102
6.6 - 8'	14	21	28	35	42	49	56	63	70	77	84	91	98	105	112	119
8 - 9.3'	16	24	32	40	48	56	64	72	80	88	96	104	112	120	128	136
9.3 - 10.6'	18	27	36	45	54	63	72	81	90	99	108	117	126	135	144	153
10.6 - 12'	20	30	40	50	60	70	80	90	100	110	120	130	140	150	160	170
12 - 13.3'	22	33	44	55	66	77	88	99	110	121	132	143	154	165	176	187
13.3 - 14.6'	24	36	48	60	72	84	96	108	120	132	144	156	168	180	192	204
14.6 - 16'	26	39	52	65	78	91	104	117	130	143	156	169	182	195	208	221
16 - 17.3'	28	42	56	70	84	98	112	126	140	154	168	182	196	210	224	238
17.3 - 18.6'	30	45	60	75	90	105	120	135	150	165	180	195	210	225	240	255
18.6 - 20'	32	48	64	80	96	112	128	144	160	176	192	208	224	240	256	272
20 - 21.3'	34	51	68	85	102	119	136	153	170	187	204	221	238	255	272	289
21.3 - 22.6'	36	54	72	90	108	126	144	162	180	198	216	234	252	270	288	306
22.6 - 24'	38	57	76	95	114	133	152	171	190	209	228	247	266	285	304	323
24 - 25.3'	40	60	80	100	120	140	160	180	200	220	240	260	280	300	320	340
25.3 - 26.6'	42	63	84	105	126	147	168	189	210	231	252	273	294	315	336	357
26.6 - 28'	44	66	88	110	132	154	176	198	220	242	264	286	308	330	352	374
28 - 29.3'	46	69	92	115	138	161	184	207	230	253	276	299	322	345	368	391
29.3 - 30.6'	48	72	96	120	144	168	192	216	240	264	288	312	336	360	384	408
30.6 - 32'	50	75	100	125	150	175	200	225	250	275	300	325	350	375	400	425
32 - 33.3'	52	78	104	130	156	182	208	234	260	286	312	338	364	390	416	442
33.3 - 34.6'	54	81	108	135	162	189	216	243	270	297	324	351	378	405	432	459
34.6 - 36'	56	84	112	140	168	196	224	252	280	308	336	364	392	420	448	476
36 - 37.3'	58	87	116	145	174	203	232	261	290	319	348	377	406	435	464	493
38.6 - 40'	60	90	120	150	180	210	240	270	300	330	360	390	420	450	480	510
40 - 41.3'	62	93	124	155	186	217	248	279	310	341	372	403	434	465	496	527
41.3 - 42.6'	64	96	128	160	192	224	256	288	320	352	384	416	448	480	512	544
42.6 - 44'	66	99	132	165	198	231	264	297	330	363	396	429	462	495	528	561
44 - 45.3'	68	102	136	170	204	238	272	306	340	374	408	442	476	510	544	578
45.3 - 46.6'	70	105	140	175	210	245	280	315	350	385	420	455	490	525	560	595
48 - 49.3'	72	108	144	180	216	252	288	324	360	396	432	468	504	540	576	612
49.3 - 50.6'	74	111	148	185	222	259	296	333	370	407	444	481	518	555	592	629
50.6 - 52'	76	114	152	190	228	266	304	342	380	418	456	494	532	570	608	646
52 - 53.3'	78	117	156	195	234	273	312	351	390	429	468	507	546	585	624	663
53.3 - 54.6'	80	120	160	200	240	280	320	360	400	440	480	520	560	600	640	680
54.6 - 56'	82	123	164	205	246	287	328	369	410	451	492	533	574	615	656	697

W
I
D
T
H

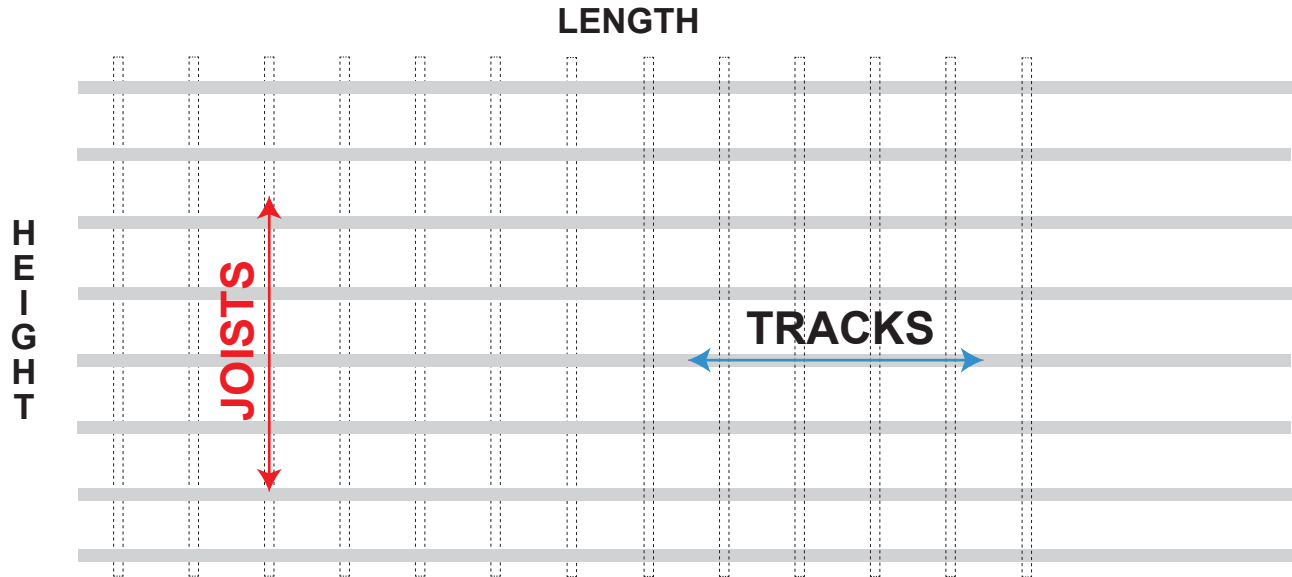
Note: Add 4 Resilmount™ Clips at each drywall butt joint condition for optimum acoustical UL Fire resistive assembly compliance. See UL Fire Resistive Design Specifications.

Ceilings - Track and Joist Orientation

Note:

WHEN THE TRACKS RUN LONGER THAN THE JOISTS;

Use the chart on Pg. 7 as shown – WIDTH AXIS on the user chart for the width of the ceiling and the LENGTH AXIS for the length of the ceiling.



Note:

WHEN THE JOISTS RUN LONGER THAN THE TRACKS;

Use the LENGTH AXIS on the User Chart for the width of the ceiling and the WIDTH AXIS on the User Chart for the length of the ceiling.

