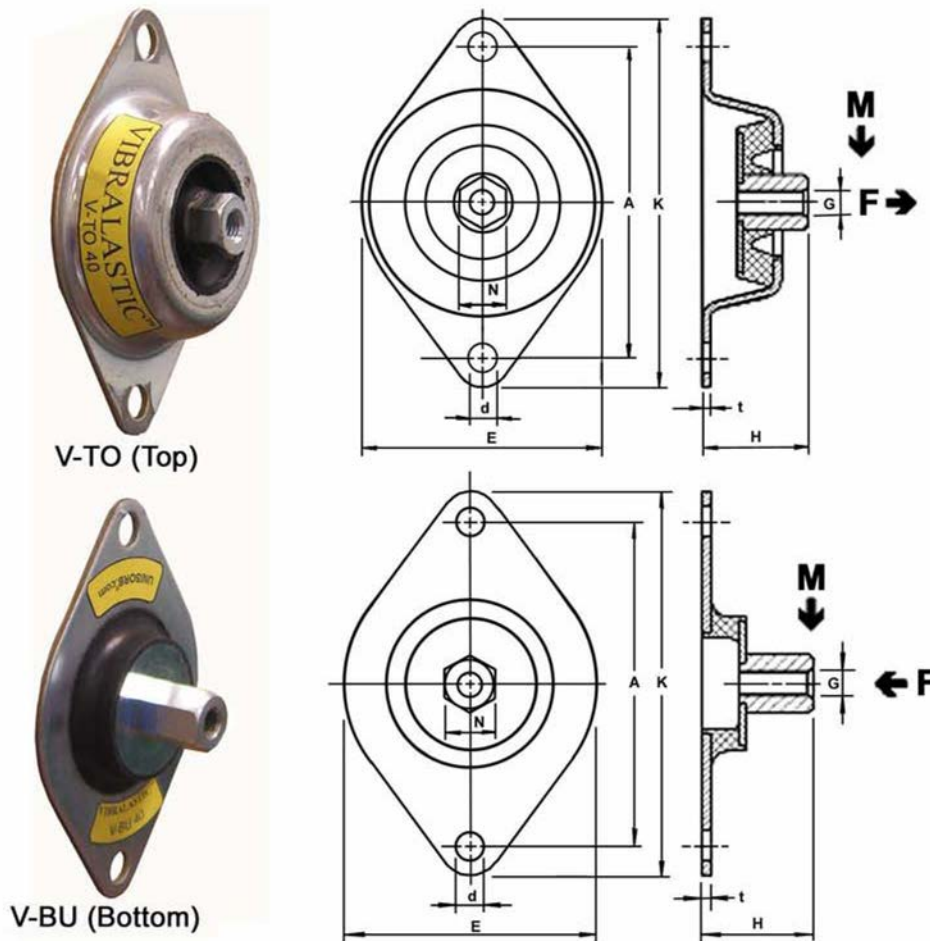


Vibralastic Mount Type V-T/B

Vibration Isolator



USES

These mounts are designed to be mounted vertically in such a way that the rubber section is subject to shear loads, providing high deflection even at low loading. They come in two components. The V-TO top mount provides protection against tension, preventing the isolated unit from falling down in case of overloading. The top mounts can also be used to hang a box or a cabinet from above using (4) V-TO top mounts. The V-BU bottom mount accepts horizontal compression loads and allows vertical shear deflection. These mounts are perfect for mounting electrical cabinets and other similar units to machinery, thus isolating them from harmful vibrations caused by host equipment.

TYPE	D	E	A	K	H	h	d	G	Max. Load 40 D.	Max. Load 60 D.	Weight
VM 7	18	43	50	64	20	7	7.0	M6	3.5	9	0.020
VM 25	27	56	66	85	25	11	8.0	M8	25	50	0.070
VM 50	40	76	92	114	35	14	10.0	M10	40	80	0.160
VM 100	44	96	110	136	40	15	11.5	M10	70	150	0.260
VM 200	54	101	124	151	45	13	11.5	M10	130	220	0.420
VM400	78	-	120	150	63	18	14.5	M12	280	500	1.060
VM 600	100	-	160	200	85	25	14.5	M16	380	750	2.350
VM 1500	186	-	250	310	160	43	18.0	M24	1400	2500	9.430

Dimensions are in millimeters. Weights are in Kilograms.