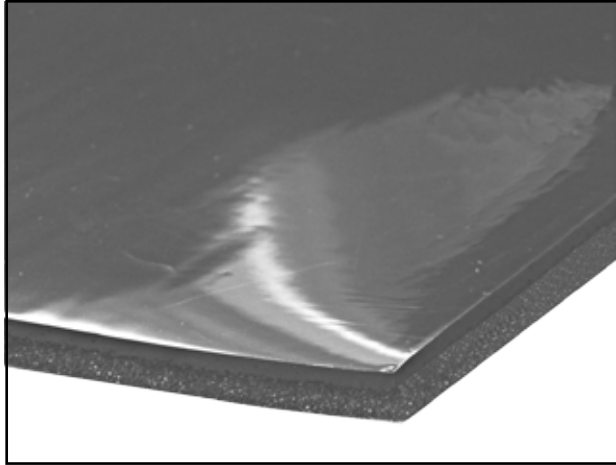


# Barymat BM-1C & BM-1A

## Flexible, Decoupled Barrier



Barymat BM-1C is an extremely versatile noise control composite. BM-1C is very effective as an acoustic lagging to reduce breakout noise in pipes and ducts and can be used to increase transmission loss in walls and ceilings.

### APPLICATION AND PRODUCT DATA

#### IDEAL USES (Indoor or Outdoor Use)

- Ducting
- Piping
- Pumps
- Gas Lines
- Cyclones
- Stacks
- Machine Housing
- Hydraulic Systems
- Panels
- Cabinets
- Ceilings
- Walls

#### STANDARD DIMENSIONS

Sheets: 54" wide x 72", untrimmed (27 sq.ft.)

Rolls: 54" wide x 30' untrimmed (135 sq. ft.)

#### THICKNESS

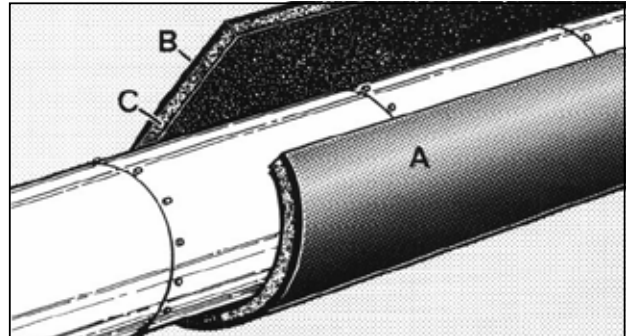
BM-1C Approx. .3125 in. - overall composite thickness.

BM-1A Approx. .25 in. - overall composite thickness.

#### TYPICAL PHYSICAL PROPERTIES

Barrier Color:	Black
Foam Color:	Charcoal Grey
Foam Density:	ASTM D 3574-86 -1.5 -2.2 lb. / cu. ft.
Composite	
Weight:	BM-1C - 1.7 lb. /sq. ft. BM-1A - 0.9 lb. / sq .ft.
Flammability:	MVSS 302 - Passes

**Barymat BM-1C** consists of (A) a clear, tough polyester cover for contamination resistance, (B) a loaded flexible 1.6 lb. per sq. ft. barrier for transmission loss (0.9 lb. also available) and (C) a .25 in. urethane foam decoupler.



***BM-1C IS USED AS AN EXTERNAL 'WRAP' OR LIMP MASS BARRIER WITHIN STRUCTURES TO CONTROL NOISE LEAKAGE OR PENETRATION.***

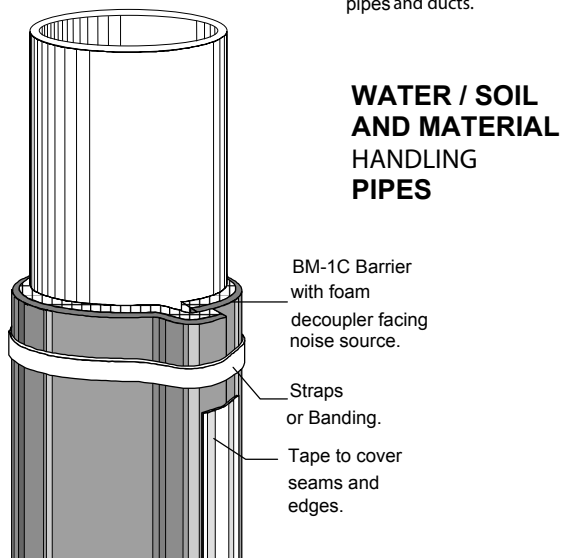
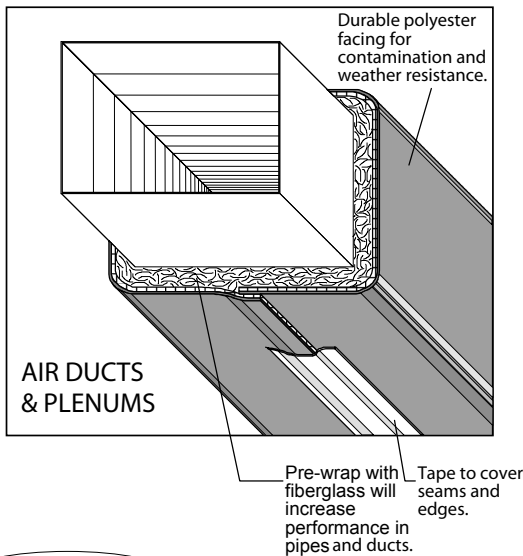
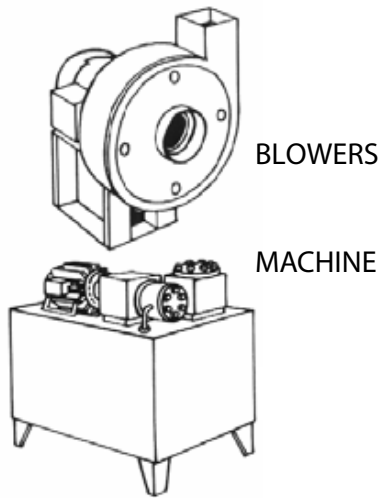
BM-1C is an acoustic lagging which effectively reduces radiated sound energy from a wide variety of sources. Excess noise coming from soil pipe, water pipe or air handling ducts and equipment is unacceptable in most living or work spaces. Constant or intermittent noise of this nature can be a source of irritation and stress. Unwanted sound propagation can be easily controlled using this decoupled barrier.

The composite 1/4" layer of acoustic foam which keeps the limp , dense barrier decoupled from the surface of the noise source. Increased performance can be achieved with a pre-wrap of 1/2" to 1" of light density fiberglass.

BM-1C is easy to cut with a common utility knife, which makes Installation very simple. Sections should be overlapped to eliminate any gaps in the barrier and maintain best acoustic performance.

BM-1C has a 1.6 lb. per sq. ft. barrier. Where weight restrictions are a consideration use BM-1A a 0.9 lb. per sq. ft. barrier.

## SAMPLE APPLICATIONS



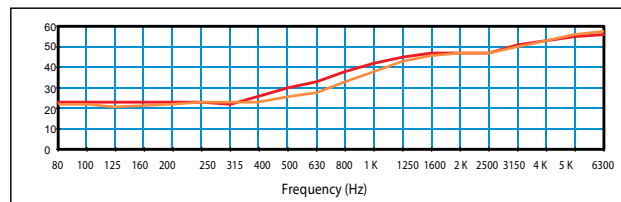
## PERFORMANCE DATA

### HIGH PERFORMANCE - 20 TO 40 dB REDUCTIONS

Chart shows typical performance when bonded to 16 gauge steel. Performance will vary according to mass (thickness) of material it is adhered to.

Frequency (Hz)	Transmission Loss (dB)	
	BM-1C	BM-1A
80	23	22
100	23	22
125	23	21
160	23	21
200	23	22
250	23	23
315	22	23
400	26	23
500	30	25
630	33	28
800	38	33
1000	42	38
1250	45	43
1600	47	46
2000	47	47
3150	47	51
4000	51	54
5000	55	56
6300	56	56
STC	34	32

Performance data is an extract from NRC - Ottawa report on tests according to ASTM E 90-90 with material to 16 ga. steel.



**NOTICE:** Stated performance data is on recognized testing methods. Products performance can be affected by field conditions and installation methods. Users of these products are responsible for determining suitability for their application and compliance with any legal provisions including those to health and safety.

## INSTALLATION

Barymat BM-1C is easy to apply and is cut with a common utility knives. For secure and permanent installations use reinforced duct type tape, mechanical fasteners or specified adhesives - available from WILREP LTD.